

Installation Instructions

IMPORTANT: READ PRIOR TO ATTEMPTING INSTALLATION

NUD-88 SERIES LEDUR - LED UNDER CABINET

INSTALLATION SHOULD BE CARRIED
OUT BY YOUR LOCAL ELECTRICIAN.

ALWAYS TURN OFF MAIN POWER BEFORE INSTALLATION

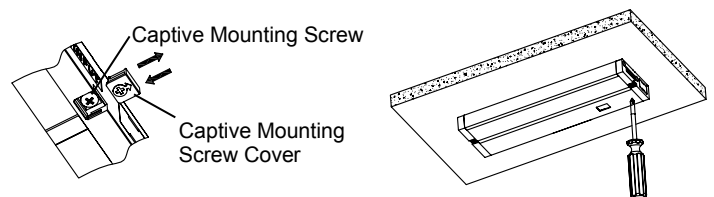
IMPORTANT:

- These products may represent a possible shock or fire hazard if improperly installed or attached in any way. Products should be installed in accordance with these instructions, current electrical codes and/or the current National Electric Code (NEC).
- Injury to persons and damage to the fixture and/or mounting surface may result if the fixture is pulled from the surface.
- To reduce the likelihood of such injury or damage, mount on a surface that is mechanically sound.
- Keep fixture away from curtains and other combustible materials.

INSTRUCTIONS:

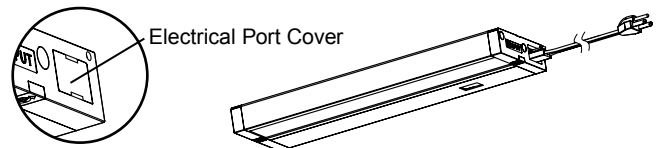
MOUNTING FIXTURE

1. Remove captive mounting screw covers.
2. Place fixture in desired position and drive Mounting Screws Securely. In some installations it may be desired to drill a pilot hole for the screws.
3. Replace the Captive Mounting Screw Cover.



POWER CODE CONNECTION

Remove the Electrical Port Cover and insert the power cord into INPUT electrical port.



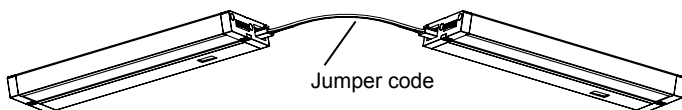
JOINING MULTIPLE FIXTURES

USING JUMPER CORD:

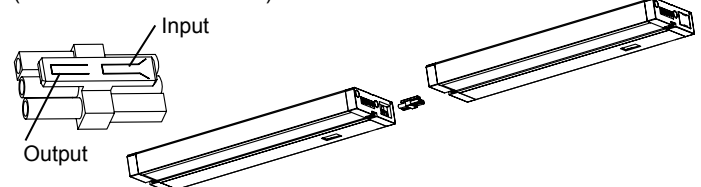
1. Remove Electrical Port Covers.
2. Connect INPUT of Jumper cord to INPUT of electrical port.
3. Connect OUTPUT of Jumper cord to OUTPUT of electrical port.

USING END-TO-END CONNECTOR

1. Remove Electrical Port Covers.
2. Connect INPUT of End-to-End connector to INPUT of electrical port.
3. Connect OUTPUT of End-to-End connector to OUTPUT of electrical port.



End-to-End connector
(Provided with each fixture)



Installation Instructions

IMPORTANT: READ PRIOR TO ATTEMPTING INSTALLATION

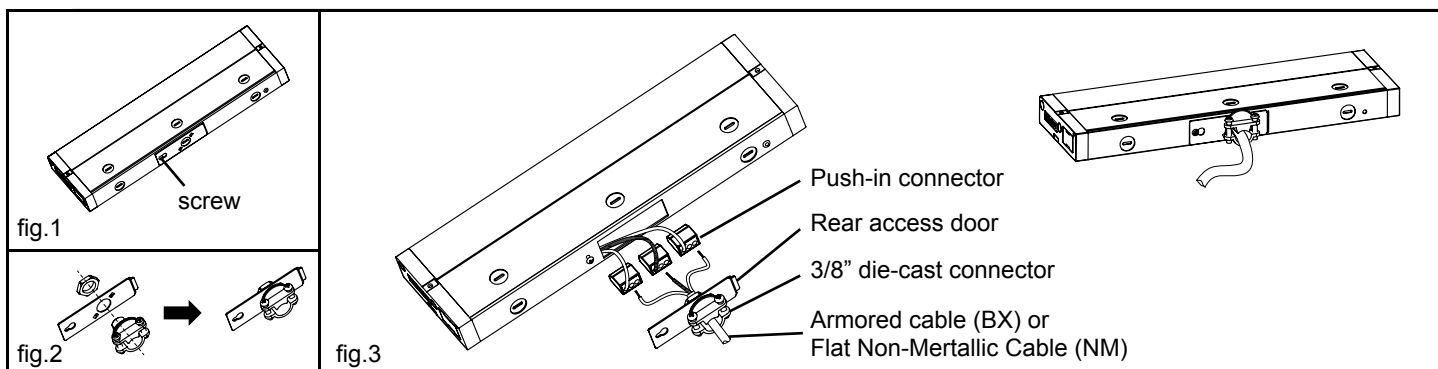
NUD-88 SERIES LEDUR - LED UNDER CABINET

ALWAYS TURN OFF MAIN POWER BEFORE INSTALLATION

INSTALLATION SHOULD BE CARRIED
OUT BY YOUR LOCAL ELECTRICIAN.

WIRING CONNECTIONS THROUGH A SIDE ACCESS DOOR

1. Loosen screw that secures Side Access Door and remove the door from key hole by just a side. (fig.1)
2. Assemble 3/8" die-cast connector into Side Access Door (fig.2) and push supply cable through the die-cast connector. (fig.3)
3. Inside fixture are three wires with Push-in connectors. Carefully pull three out of fixture. Do not pull with excessive force.
4. Insert each of the three wires from the supply cable into each of the three Push-in connectors with respective color wires.
5. Neatly push wires and push-in connectors into opening in back of the fixture.
6. Close the Side Access Door and tighten screw.



WIRING CONNECTIONS THROUGH A FRONT SIDE COVER

1. Open the front cover by unscrewing screws.
2. Remove knockout and assemble 3/8" die-cast connector.
3. Push supply cable through the die-cast connector and connect wires using Push-in connector.
4. Close the front cover and tighten screws

