

ASSEMBLY INSTRUCTIONS

Lotura 36" Intersecting Linear Pendant Item # KW5446

WE RECOMMEND INSTALLATION OF THIS LIGHTING FIXTURE BE DONE BY A LICENSED ELECTRICIAN.

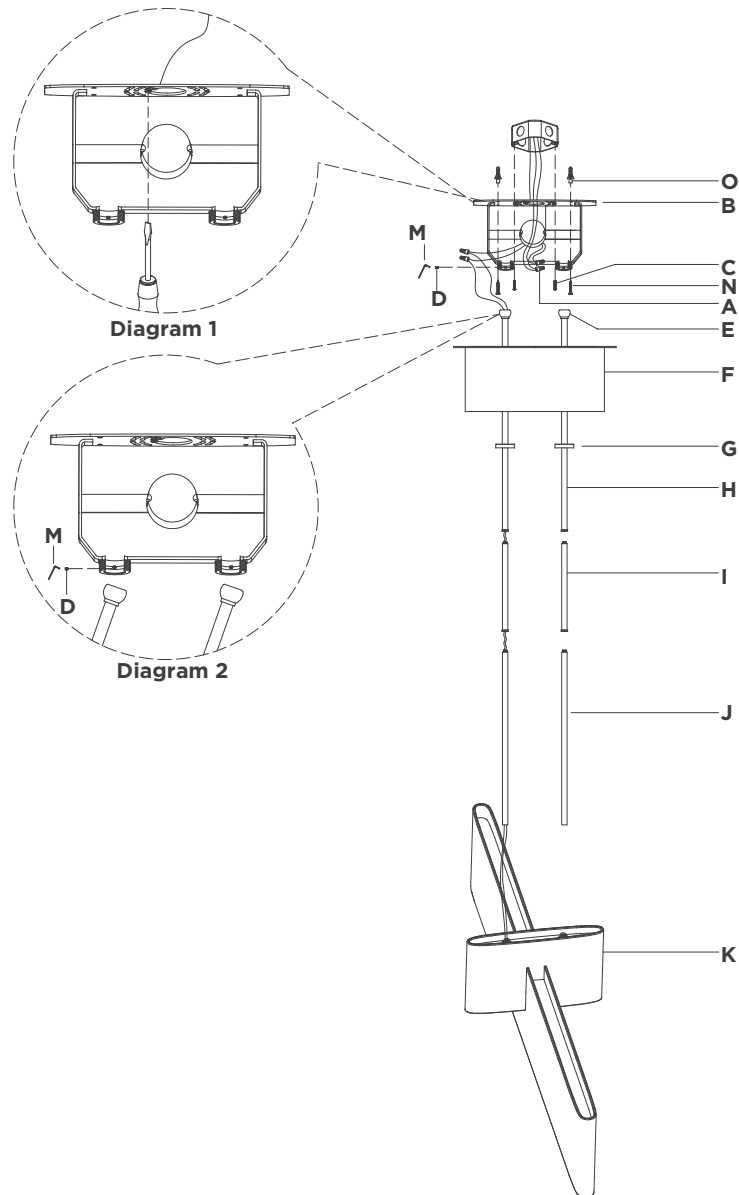
WARNING*SWITCH OFF THE MAIN ELECTRICAL SUPPLY FROM THE MAIN FUSE BOX/CIRCUIT BREAKER BEFORE INSTALLATION.**

INSPECT ITEM CAREFULLY BEFORE ATTEMPTING TO INSTALL.

IF THERE IS ANY DAMAGE OR OBVIOUS DEFECT. DO NOT INSTALL.

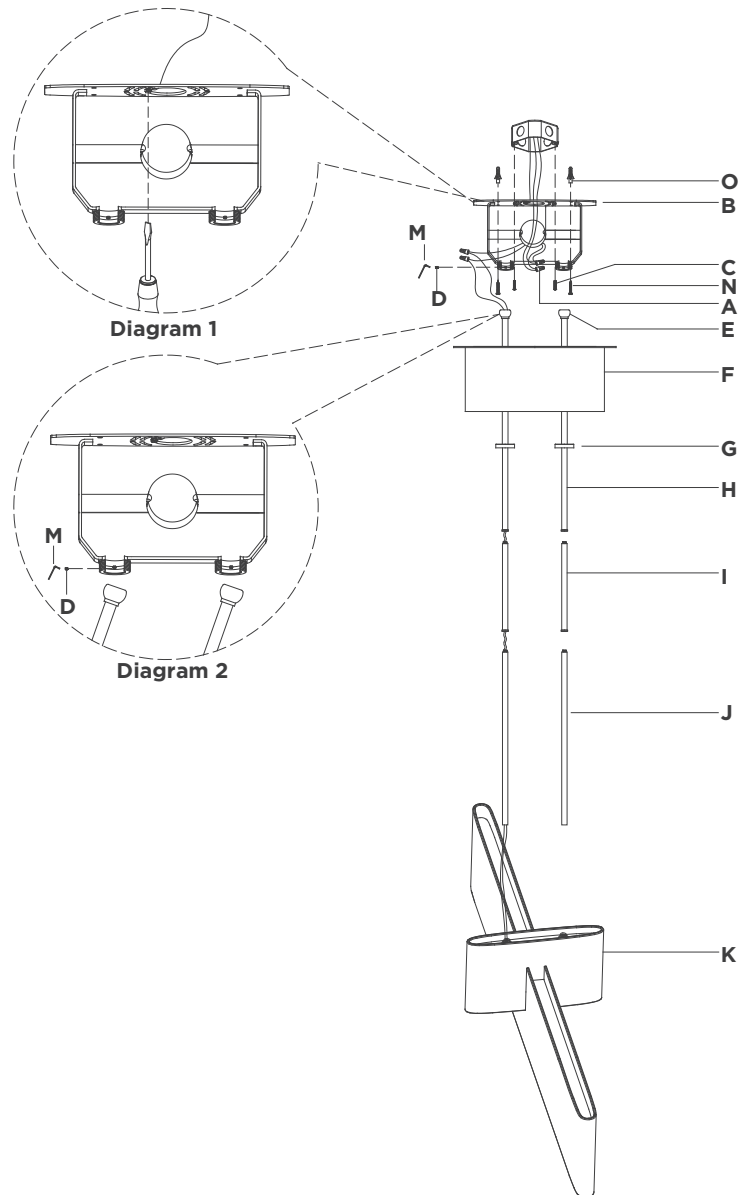
ITEM MAY NOT BE RETURNED ONCE IT HAS BEEN INSTALLED.

NOTE: CAREFULLY UNPACK EACH PIECE IN TOP LAYER OF PACKING PRIOR TO REMOVING. RETAIN ALL PACKING MATERIAL UNTIL INSPECTION AND INSTALLATION ARE FINAL.



- Carefully remove all parts from the box. Place on a clean, soft surface.
- Remove mounting plate (B) from canopy (F) by removing collar ring (G).
- Using mounting plate (B) as a guide, line up with the junction box and mark anchor positions.
- Using a drill bit slightly smaller than the anchor, drill holes in the marked positions. Install anchors (O) into the holes using hammer.
- Install mounting plate (B) to the junction box and secure with mounting screws (C), then secure wood screws (N) to anchors (O).
- Connect supply ground wire (usually green or bare copper) around the green grounding screw (see diagram 1). Tighten.
NOTE: It is imperative that the fixture is grounded.
- Connect driver input neutral wire (white) to the supply neutral wire (usually white) using wire nut (A).
- Connect driver input hot wire (black) to the supply hot wire (usually black) using wire nut (A).
CAUTION: Do not reverse the hot and neutral connections.
- Feed electrical wires through bottom rods (J) and connect to fixture (K). Repeat for middle rods (I), connecting to bottom rods (J).
- Continue feeding wires through collar rings (G), canopy (F) and top rods (H).

ASSEMBLY INSTRUCTIONS



Lotura 36" Intersecting Linear Pendant Item # KW5446

WE RECOMMEND INSTALLATION OF THIS LIGHTING FIXTURE BE DONE BY A LICENSED ELECTRICIAN.

WARNING*SWITCH OFF THE MAIN ELECTRICAL SUPPLY FROM THE MAIN FUSE BOX/CIRCUIT BREAKER BEFORE INSTALLATION.**

INSPECT ITEM CAREFULLY BEFORE ATTEMPTING TO INSTALL.

IF THERE IS ANY DAMAGE OR OBVIOUS DEFECT. DO NOT INSTALL.

ITEM MAY NOT BE RETURNED ONCE IT HAS BEEN INSTALLED.

NOTE: CAREFULLY UNPACK EACH PIECE IN TOP LAYER OF PACKING PRIOR TO REMOVING. RETAIN ALL PACKING MATERIAL UNTIL INSPECTION AND INSTALLATION ARE FINAL.

11. Holding fixture upright, slide collar rings (G) and canopy (F) down and rest on fixture (K). Then connect top rods (H) to middle rods (I).
NOTE: Slide components down slowly to avoid damages.
12. Hang fixture swivel balls (E) to center of mounting plate (B) and secure with set screws (D) using provided wrench (M) (see diagram 2).
13. Cut excess wire, being sure to leave enough to reach the junction box. Separate wires, and strip insulation on each 5/8".
14. Connect fixture neutral wire (black) to driver output wire (black) using wire nut (A).
15. Connect fixture hot wire (red) to driver output wire (red) using wire nut (A).
CAUTION: Do not reverse the hot and neutral connections.
16. Make sure all wire connections are tight, then carefully tuck into the junction box.
17. Install canopy (F) to mounting plate (B) and secure with collar rings (G).

*** Clean with a dry, soft cloth only. Do not use harsh abrasives or chemical agents.